

These drive-away antennas are suitable for the most demanding and mission critical applications.

Available in three bands: X, Ku and Ka-band



Key Features

- Carbon fiber reflector and supporting system for lighter weight and higher reliability
- Complies with MIL-STD-188-164A, ITU-R S.580 and INTELSAT requirements
- Hi gain, low sidelobe, excellent pattern characteristics
- Auto-deploy and auto-stow smart switch to complete auto positioning, deploy and satellite acquisition
- Satellite deployment and acquisition within three minutes
- Motorized polarization adjustment
- Three control modes: auto, motorized, and manual
- Tracking accuracy better than 1/8 of received 3dB beamwidth
- Compatible with SpaceBridge ASAT™ modems
- Can be integrated to any ground network connectivity solution

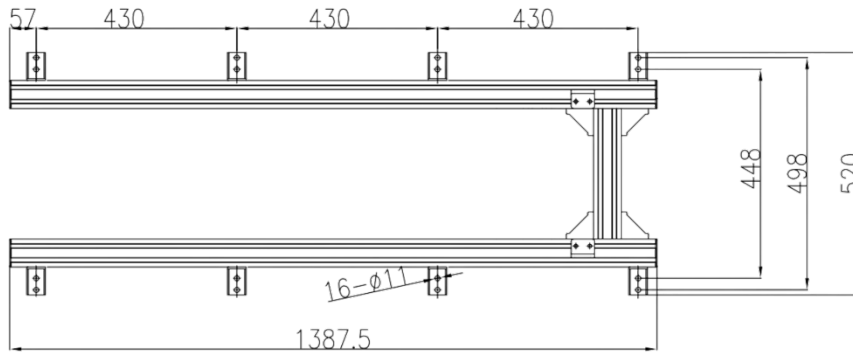
SBDA120 Series 1.2m X, Ku and Ka-band Drive-Away Antennas

Specifications

Model	SBDA120X		SBDA120U		SBDA120A	
Band	X		Ku		Ka	
Frequency (GHz)	7.25 – 7.75	7.9 – 8.4	10.70 – 12.75	13.75 – 14.5	18.3 – 21.2	29.0 – 30.0
Polarization	Circular		Linear		Linear	
Gain, mid-band (dBi)	≥ 37.6	≥ 38.2	≥ 41.8	≥ 43.1	≥ 46.0	≥ 49.2
XPD (dB)	≥ 21.3		≥ 35		≥ 25	
VSWR	≤ 1.3		≤ 1.25		≤ 1.3	
Port-to-Port Isolation, Tx to Rx (dB)	≥ 110		≥ 85		≥ 85	
Feed Interface	WR112		WR75		WR42	WR28
Sidelobe	MIL-STD-188-164A		ITU-R S.580		ITU-R S.580	
Reflector size	1.2m					
Reflector type	Offset					
Material of the reflector	Single-Piece Carbon Fiber					
Drive mode	Manual or Motorized					
Travel range						
Azimuth	±220°					
Elevation	10 – 90°					
Polarization	180°					
Speed Rate						
Azimuth	0.1 – 6°/sec					
Elevation	0.1 – 6°/sec					
Antenna Net Weight	85kg					
Acquisition time	≤ 3min					
Tracking Accuracy	Better than 1/8 of 3dB beamwidth					
Tracking Mode	Beacon or DVB					
Positioning Mode	GPS					
Power Supply	100 – 240VAC, 50/60Hz					
Power Consumption	≤ 350W, BUC not included					
Operational Temperature	-40°C - +60°C					
Storage Temperature	-55°C - +75°C					
Operational Wind Speed	72km/h, gusting to 97km/h					
Survival Wind Speed	Stowed, 216km/h					
Operational Rain	100mm/h					
Humidity	100%					
Ingress protection	IP65					
Vibration	MIL-STD-810F					
Corrosion	MIL-STD-1250					

**SBDA120 Series
1.2m X, Ku and Ka-band Drive-Away Antennas**

Antenna vehicle mount interface dimensions (mm)



Antenna outline dimensions (mm)

